



## [Features]

- Pendant Mount Bracket with power box
- Support up to 10 kg
- Compatible with i3S700-series speed domes

## [Application & Benefits]

When mounting the i3S700-series speed dome on the ceiling, the i3D705 is perfect for the job. The i3D705 is designed to suspend the i3S700-series speed dome in a safe manner and is architecturally designed to fit any environment. The i3D705 is rust-proof; it is made from steel alloy and is power coated with white paint. Call our customer care representative for further information.

i3 International produces a range of camera and DVR accessories applicable for many retail, commercial and industrial applications. From aluminum camera brackets to UTP & power Supplies our full line of accessories offer tremendous value to security and loss prevention professionals.

To learn more about our complete line of products, please visit our website or contact our customer care department at 1.866.840.0004.

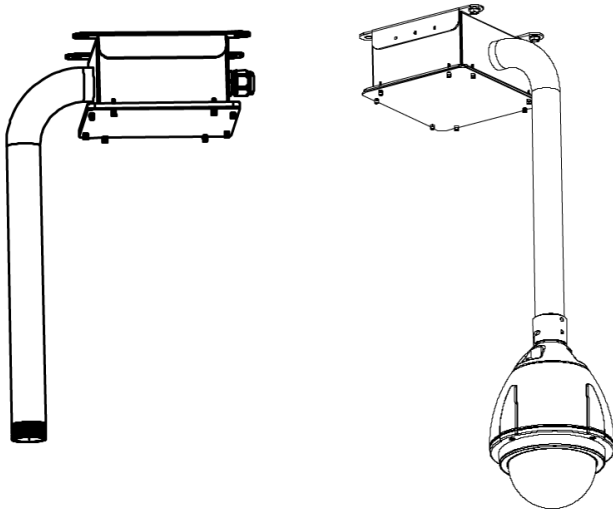
## [ Specifications ]

- Construction: stainless steel
- Color: White
- Dimensions: 236mm x 556mm x 342mm
- Weight: 5.4kg
- Shipping Size: 400mm x 270mm x 540mm
- Shipping Weight: 7.6 Kg



©2009 i3International. The i3 logo is property of i3International Inc. All rights reserved. Specifications, configurations, components and options listed are subject to change without notice. This data sheet may not be reproduced without permission.

# i3D705 Pendant Pipe Mount with Power Box Technical Drawing



**i3D730PTZ + i3D750PTZ speed domes**

## Specification

### Features

- Pendant Mount Bracket with power box
- Compatible with i3D730PTZ + i3D750PTZ speed domes
- Support up to 10 kg
- Options: i3D709

### Mechanical Specifications

Construction	Stainless steel
Color	white
Dimensions (WxHxD)	236mm x 556mm x 342mm
Weight (kg)	5.4 kg
<b>Ordering information</b>	
Model	i3D705
Shipping size	400mm x 270mm x 540mm
Shipping weight	7.6 kg

